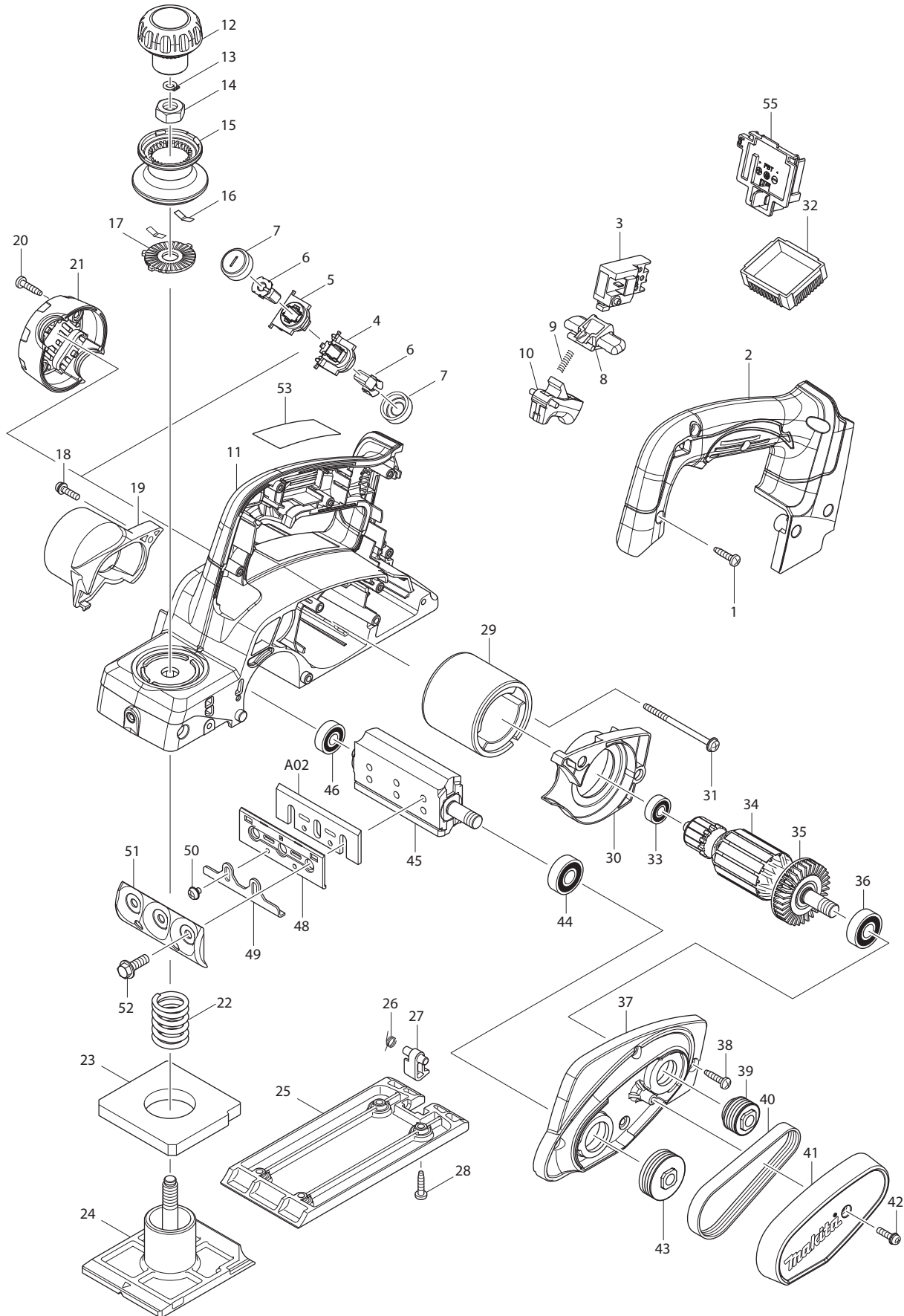




04 - 2014
DKP180F, DKP180RFE, DKP180Z
18V 3-1/4" PLANER



PARTS LIST

Item No	Type	Part No	Description	Qty	Unit
001		266326-2	TAPPING SCREW 4X18	6	PC.
002		140905-3	HANDLE COVER COMPLETE	1	PC.
002	INC.	263005-3	RUBBER PIN 6	1	PC.
003		650631-1	SWITCH	1	PC.
004		643872-6	BRUSH HOLDER	1	PC.
005		643873-4	BRUSH HOLDER	1	PC.
006		195022-4	CARBON BRUSH CB-441 2PCS/SET (W/ORIGIN)	1	SET
007		643829-7	HOLDER CAP	2	PC.
008		419664-3	LOCK OFF LEVER	1	PC.
009	2	231469-9	COMPRESSION SPRING 4	2	PC.
010		419665-1	SWITCH LEVER	1	PC.
011		142578-8	MAIN FRAME COMPLETE	1	PC.
011	INC.	263005-3	RUBBER PIN 6	1	PC.
011	INC.	803H94-0	CAUTION LABEL	1	PC.
012		451328-3	KNOB COVER	1	PC.
013		961004-6	RETAINING RING S-8	1	PC.
014		264028-4	HEX. NUT M10	1	PC.
015		452793-9	KNOB	1	PC.
016		232185-6	LEAF SPRING	2	PC.
017		346110-2	CAM PLATE	1	PC.
018		911128-8	PAN HEAD SCREW M4X16	1	PC.
019		451393-2	CHIP COVER	1	PC.
020		266326-2	TAPPING SCREW 4X18	2	PC.
021		419281-9	REAR COVER	1	PC.
022	1	231004-3	COMPRESSION SPRING 18	1	PC.
022	2	233395-8	COMPRESSION SPRING 18	1	PC.
023		421007-7	RUBBER PACKING	1	PC.
024		319011-7	FRONT BASE	1	PC.
025		319009-4	BASE	1	PC.
026		231698-4	TORSION SPRING 7	1	PC.
027	2	413L64-1	FOOT	1	PC.
028		266326-2	TAPPING SCREW 4X18	4	PC.
029		638571-3	YOKE UNIT	1	PC.
030		452479-5	BAFFLE PLATE	1	PC.
031	2	265A85-1	TAPPING SCREW 4X65	2	PC.
032	2	620G74-3	CONTROLLER	1	PC.
033		210017-7	BALL BEARING 607DDW	1	PC.
034		519272-1	ARMATURE ASS'Y DC18V	1	PC.

Item No	Type	Part No	Description	Qty	Unit
034		INC.	Item No. 33,35,36		
035		240052-1	FAN 46	1	PC.
036		211088-7	BALL BEARING 6000DDW	1	PC.
037		140753-0	BRACKET COMPLETE	1	PC.
037		INC. 263002-9	RUBBER PIN 4	2	PC.
038		266326-2	TAPPING SCREW 4X18	4	PC.
039		222172-3	V-PULLEY 4-24L	1	PC.
040		225007-7	POLY V-BELT 4-241	1	PC.
041		452478-7	BELT COVER	1	PC.
042	2	911138-5	PAN HEAD SCREW M4X20	1	PC.
043		222173-1	V-PULLEY 4-33.5	1	PC.
044		211088-7	BALL BEARING 6000DDW	1	PC.
045		161061-6	DRUM	1	PC.
046		211032-4	BALL BEARING 608ZZ	1	PC.
048		343433-9	SET PLATE F/MINI BLADE	2	PC.
049	2	345644-2	* ADJUST PLATE	2	PC.
050		265132-2	+ PAN HEAD SCREW M4X5	4	PC.
051		187679-5	DRUM PLATE SET	1	SET
052		251609-3	HEX. FLANGE HEAD BOLT M6X17	6	PC.
053		815K71-8	NAME PLATE F/DKP180	1	PC.
055		644808-8	TERMINAL	1	PC.
100		265785-7	THUMB SCREW M5X10(F/ Item No. A01 GUIDE RULE)	1	PC.
A01	1	165581-2	GUIDE RULE	1	PC.
A01	2	195055-9	GUIDE RULE SET	1	SET
A01	2	INC.	Item No. 100	1	PC.
A02	1	A-82921	3-1/4" C.T. MINI PLANER BLADE 65 DEGREE	1	SET
A02	2	D-16966	3-1/4" C.T. MINI PLANER BLADE 35 DEGREE 2PC/SET	1	SET
A03		191C19-9	BLADE GAUGE ASS'Y - PKG	1	PC.
A04		782209-3	SOCKET WRENCH 9	1	PC.
A05		-----	BATTERY CHARGER		
A06		-----	18V LI-ION BATTERY		
A07		-----	LI-ION BATTERY ACCESSORIES		
A09		824982-0	PLASTIC CARRYING CASE	1	PC.
A09		INC. 162271-8	LATCH	2	PC.
A09		INC. 450990-1	HANDLE	1	PC.
A10		837295-0	INNER TRAY	1	PC.
A12		191C21-2	DUST BAG ASS'Y - PKG	1	PC.
A12		INC. 122793-0	DUST BAG ASS'Y - BULK	1	PC.
A13	2	191C17-3	SHARPENING HOLDER ASS'Y	1	PC.

Item No	Type	Part No	Description	Qty	Unit
A13	2	INC. 934301-3	WING NUT M6	2	PC.
A13	2	INC. 341003-8	PRESSURE PLATE	1	PC.
A13	2	INC. 251920-3	CAP SQUARE NECK BOLT M6X30	2	PC.
A14		123060-6	BEVEL GUIDE ASS'Y	1	PC.
A14		INC. 911221-8	PAN HEAD SCREW M5X16	2	PC.
A14		INC. 934201-7	WING NUT M5	2	PC.
A14		INC. 923211-9	CAP SQUARE NECK BOLT M5X12	2	PC.
A15		191725-8	EXTENSION GUIDE SET	1	SET
A15		INC. 252045-6	SQUARE NUT M5	2	PC.
A15		INC. 911201-4	PAN HEAD SCREW M5X8	2	PC.
A16		193540-6	SET PLATE (FOR MINI PLANER BLADE) (2PC/SET)	1	SET
A16		INC.	Item No. 48		
A17	2	191C20-4	ELBOW - PKG	1	PC.
A18		451329-1	NOZZLE	1	PC.
A19		794061-7	DRESSING STONE 150-1200	1	PC.
D01		654208-4	RECEPTACLE	1	PC.